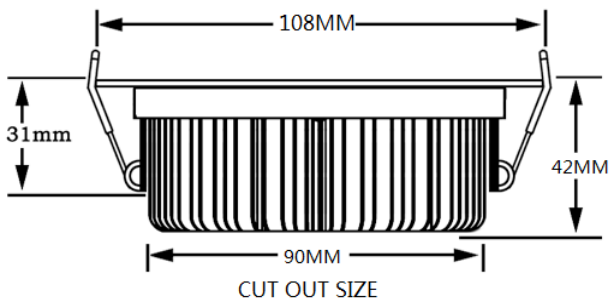


# LED DOWNLIGHT

These general purpose LED light fitting is designed with robust polycarbonate fitting for the budget cost. The fitting is suitable for a range of home lighting or commercial applications. The fitting is also dimmable to give even further flexibility in the lighting control

Product Code	Voltage (V)	Wattage (W)	Power Factor	Luminous Flux (Lm)	Beam Angle	CRI	Colour temp	Dimmable
BTD03W-13W	240V AC	13W	>0.85	88lm/w-cw	120	>80	5500K 4000K 3000K	Yes

\*Available in robust aluminium finish and polycarbonate fitting for the budget conscious



BTD03

BEAM ANGLE 120 DEG		
Distance (M)	Avg/Max (lux)	Diameter (M)
1	84	3.39
1.5	37	5.09
2	21	6.79
2.5	14	8.48
3	9	10.18



Cool White  
5500K



Bright white  
4000K



Warm white  
3000K